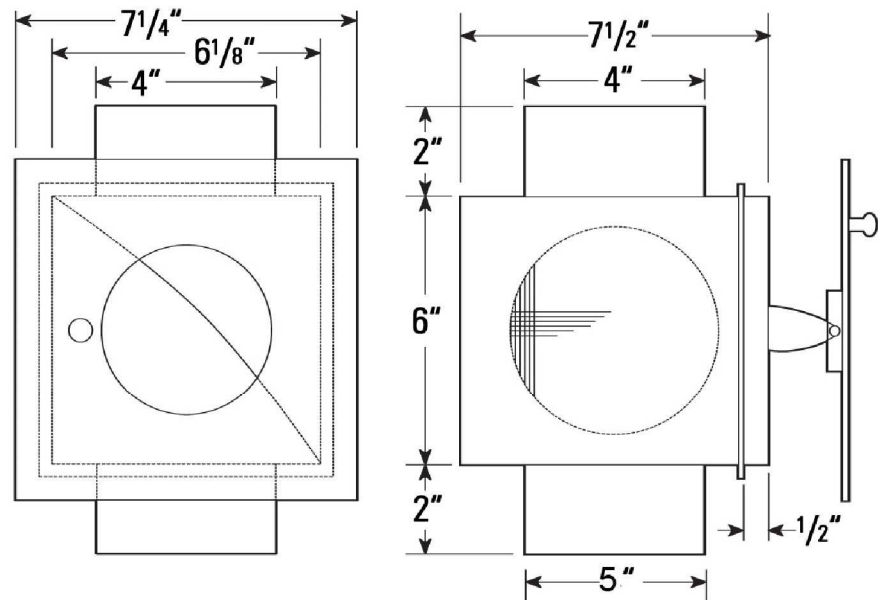


Lint Trap



READ AND SAVE THESE INSTRUCTIONS

Description/Instructions/Use

The ORTECH Lint Trap is a Secondary Dryer Lint Trap used when installing an ORTECH Dryer Booster Fan less than the recommended distance of 15 feet from the back of the dryer. The Lint Trap must be installed so it is easily accessible to the dryer user. It is recommended that the dryer user inspect for lint accumulation prior to each operation of the dryer.

Normally the Lint Trap is installed in the dryer duct just above the dryer

Reference	QTY.	Remarks	Project:
			Location:
			Architect:
			Engineer:
			Contractor:
			Submitted by:
			Date:

ORTECH INDUSTRIES INC.

604-543-6473-TEL-1-888-543-6473

604-599-6201-FAX-1-888-541-6474

33-13290 78 AVE

SURREY, BC V3W 0H6

CANADA