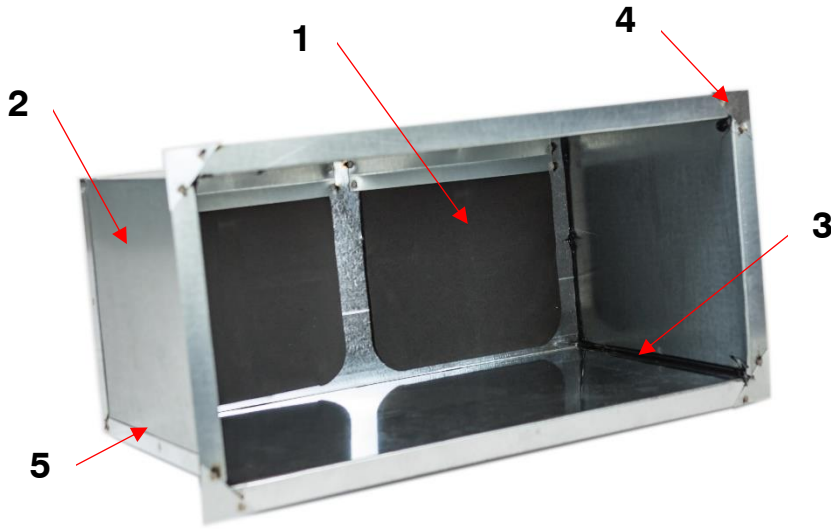




CONDOMINIUM SPECIALTY PRODUCTS

STANDARD WALL BOXES – TYPE-R



SINGLE
RSWB



DOUBLE
RDWB



TRIPLE
RTWB

AVAILABLE IN QUAD, OTHER CONFIGURATIONS UPON REQUEST

KEY FEATURES:

1. PATENTED SPRING ASSIST BACK DRAFT DAMPER
2. G90 GALVANIZED (BRIGHT)
3. SEALED INTERNAL SEAMS (LEAKPROOFED)*
4. CLOSED CORNERS
5. INSIDE WRAP BODY
6. AVAILABLE IN COLLAR SIZES 3 TO 6 INCH

*PASSES ASTM 331 @ 720 Pa

AVAILABLE CUSTOM OPTIONS:

- INCREASED DEPTH, HEIGHT, WIDTH
- INCREASED COLLAR LENGTH
- HEAVIER GAUGE
- INSULATED HOUSING
- DIVIDERS
- TIE-IN STRAPS
- ALUMINIUM, STAINLESS STEEL MATL.

USE WITH AIRVENT WALL BOX GRILLES:

STAMPED: RSWBG, RDWBG, RTWBG

EXTRUDED: RSEAWBG, ADEAWBG, RTEAWBG

USES: Terminate building exhaust ducts in low, mid, and high-rise condominiums. Protects the duct and building envelope from precipitation and wind. The standard spring assisted back draft damper (Patented), provides added assurance against air penetrating into the duct. Patented technology, high quality materials, and expert craftsmanship are the hallmark of Airvent Metal Products® Standard Wall Boxes.



info@airventproducts.com
1-866-895-VENT

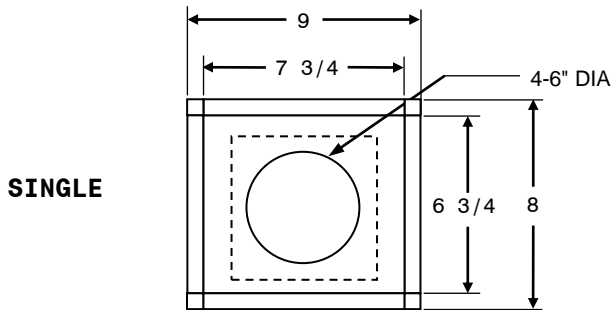
DISTRIBUTOR LABEL HERE

VENT TERMINATION WALL BOX

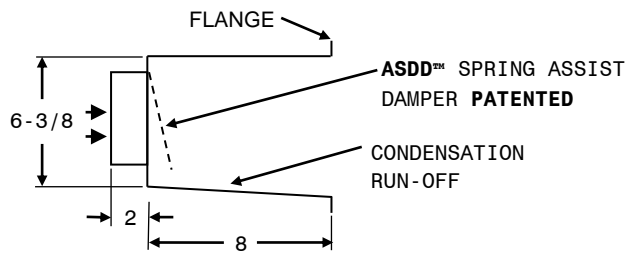
MFG. CODE: RSWB, RDWB, RTWB

Specification for TYPE-R Wall Boxes:

SUBMITTAL DATA

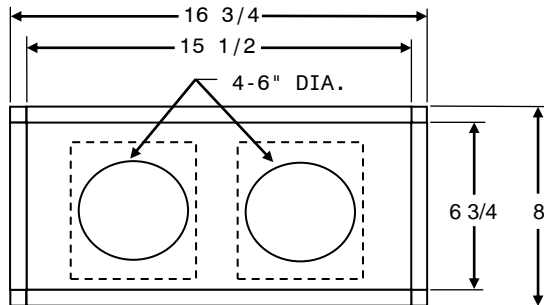


SINGLE

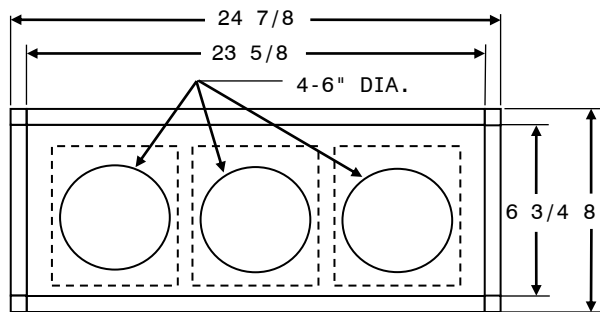


COMMON SIDE PROFILE **RH SIDE VIEW**

REAR VIEWS



DOUBLE



TRIPLE

SPECIFICATION

Wall box shall be AIRVENT METAL PRODUCTS® Model: TYPE-R. Wall box shall be constructed from corrosion resistant steel. All outlets shall be equipped with the patented **A.S.D.D.™** spring assisted damper system. Internal seams shall be sealed with proprietary sealant for leak resistance. Flange corners will be closed. Meets ASTM-331 standard for leak resistance.

Available with low, medium, and high tension damper. Specify at time of order. As every application is unique it is the user's responsibility to determine the damper required. **Medium is standard.**

SIZE	INLET DIA.	QUANTITY	REMARKS
SINGLE			
DOUBLE			
TRIPLE			
Project:		Contractor:	Engineer:
Architect:		Submitted By:	Approved By:
Location:		Date:	Date: