

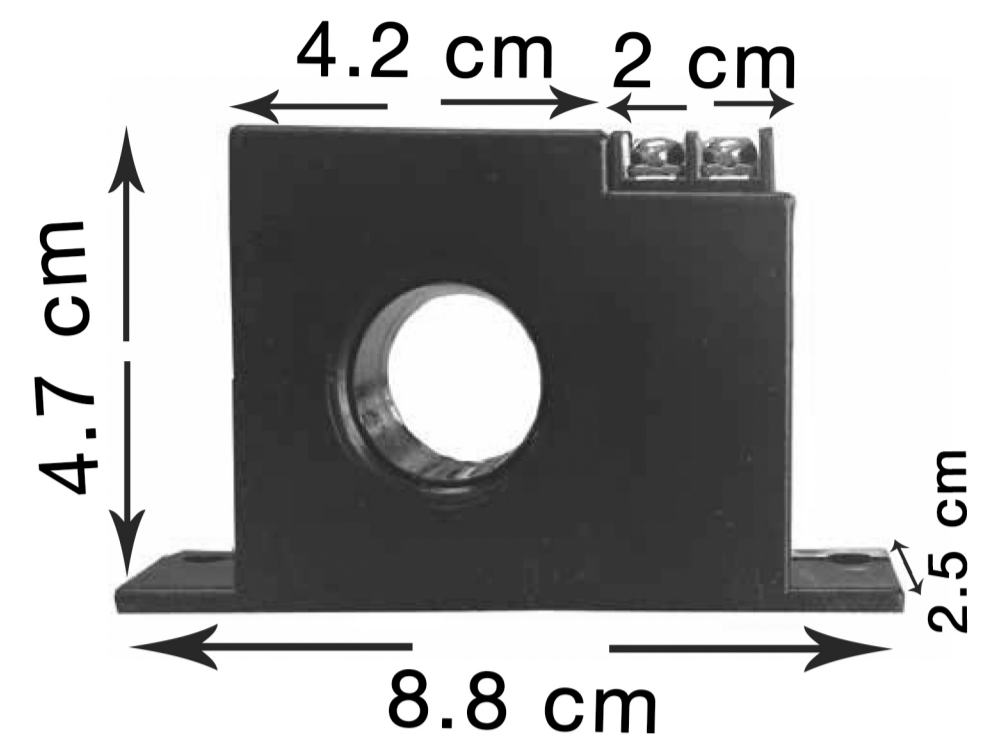
ORTECH Amp Sensor

Specification Data

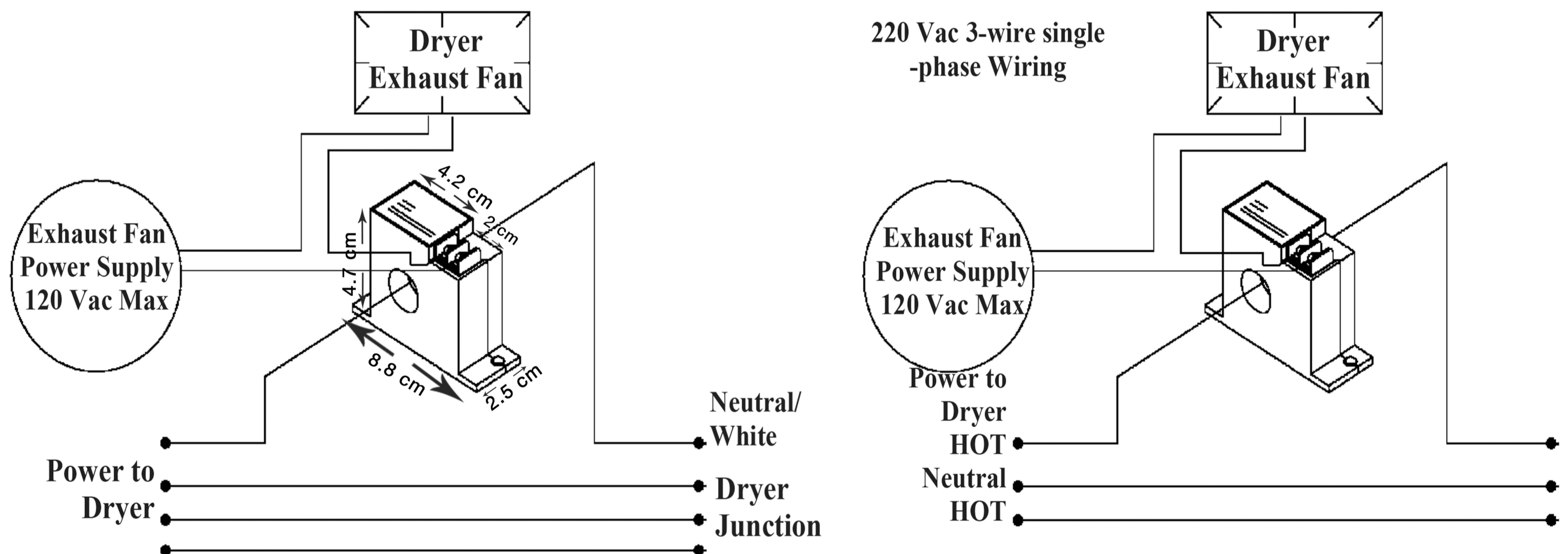
MODEL AS

Description

The High Current Switch / Dryer Control is solid-state N.O. high current AC Switch that operates adryer booster fan directly. This device senses when a clothes dryer is drawing ~1 Amp of current andthen closes the output switch to activate the dryer vent boosterfan. When the dryer cycle is completeand the current drops below the threshold, the output switch is opened again. The HC model has aturn off delay of 5 minutes. The HCN model does not have a turn off delay . The device requires no field adjustments and only two wire connections for easy installation. It is designed to mount in a standard electrical box and the dryer supply wire passes through the center of sensor so no physical connection is made.The device output will switch loads at 120 Vac and 2.5 Amps maximum. Internal circuits are totally powered by induction from the line being monitored and all units are UL certified to Canadian and US standards.



Model	Output	Switch V	Switch I	Leakage	Input I Min	Input I	Time Delay
ORTECH-AS0	Triac	120 VAC	2.5 Amp	<1 mA	~1 Amp	50 Amps	none
ORTECH-AS5	Triac	120 VAC	2.5 Amp	<1 mA	~1 Amp	50 Amps	5 minutes
ORTECH-AS10	Triac	120 VAC	2.5 Amp	<1 mA	~1 Amp	50 Amps	10 minutes
ORTECH-AS15	Triac	120 VAC	2.5 Amp	<1 mA	~1 Amp	50 Amps	15 minutes



Reference	QTY.	Remarks	Project:
			Location:
			Architect:
			Engineer:
			Contractor:
			Submitted by:
			Date:

CERTIFICATIONS

