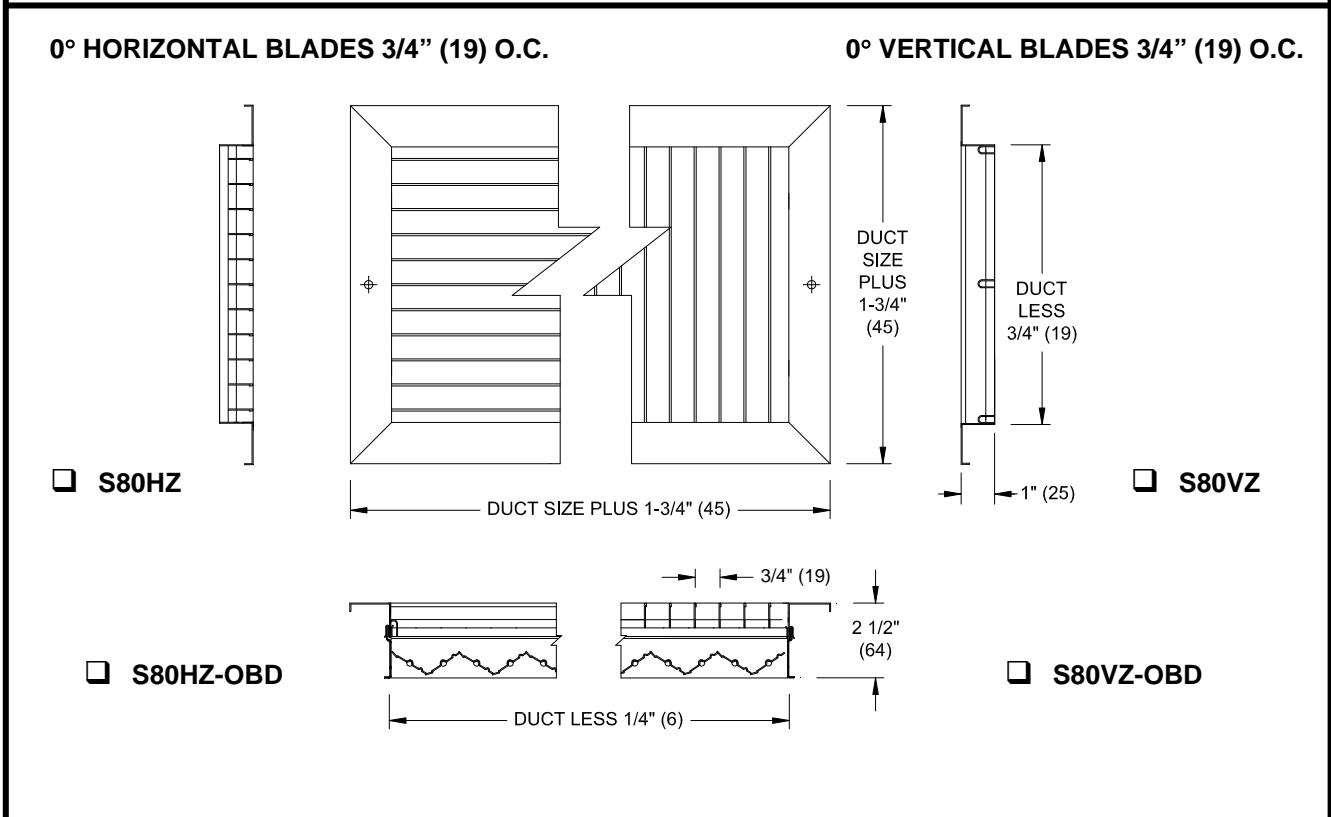
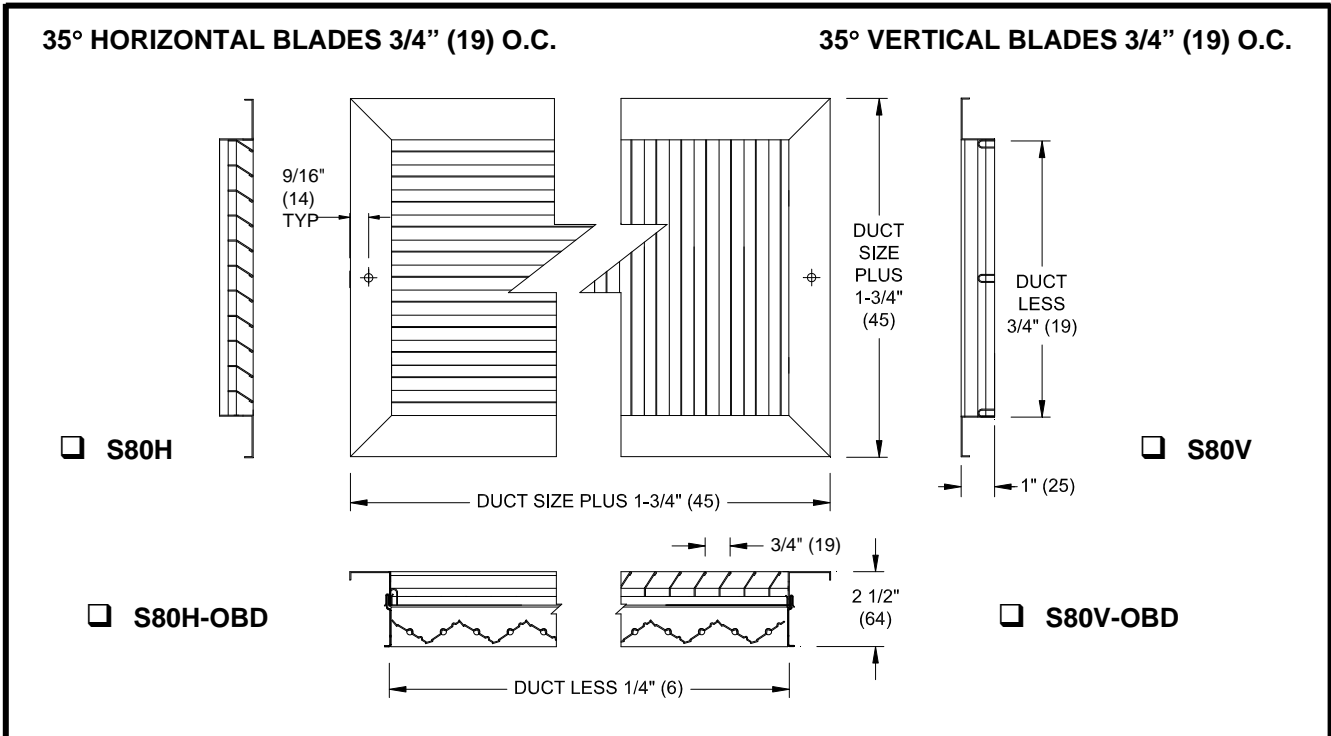


JOB NAME _____
 ARCHITECT _____
 ENGINEER _____
 CONTRACTOR _____
 LOCATION _____

SUBMITTAL SHEET
 Form Number GS0004.8 Effective Date 5/13
 Replaces Form GS0004.7



S80H, V or HZ, VZ SERIES
3/4" Spaced Fixed Blade Steel Return Grille



JOB NAME _____
 ARCHITECT _____
 ENGINEER _____
 CONTRACTOR _____
 LOCATION _____

SUBMITTAL SHEET
 Form Number GS0004.8 Effective Date 5/13
 Replaces Form GS0004.7



S80H, V or HZ, VZ SERIES
Options and Accessories

BASIC FRAME STYLES

Frame 22
SURFACE MOUNT

Frame 23
LAY-IN T-BAR

Frame 98
NARROW TEE

BASIC FASTENING METHODS

NO SCREW HOLES

STANDARD SCREW HOLES

CONCEALED FASTENING
 Shown to the right
 OBD/5OBD not available with concealed mounting

ANGLE BY OTHERS
 #8 SCREW BY OTHERS
 3/4" x 1 1/4" (19x32) ANGLE
 GRILLE FRAME
 EXISTING DUCT

FILTER FRAME OPTION

MAXIMUM DUCT SIZE EQUALS PANEL SIZE LESS 5" (127)

KNURLED / HINGE TOP
 KNURLED / HINGE BOTTOM
 KNURLED / HINGE RIGHT
 KNURLED / HINGE LEFT
 KNURLED / NO HINGE

 1/4 TURN / HINGE TOP
 1/4 TURN / HINGE BOTTOM
 1/4 TURN / HINGE RIGHT
 1/4 TURN / HINGE LEFT
 1/4 TURN / NO HINGE

DIMENSIONS ARE SHOWN AS INCHES (MM)

* MAXIMUM DUCT SIZE FOR F23 AND F98 EQUALS PANEL SIZE MINUS 5" (127)

NO SCREW HOLES

STANDARD SCREW HOLES

CONCEALED FASTENING
 Shown to the right
 OBD/5OBD not available with concealed mounting

NOTES :

S80H / V / HZ / VZ ARE ALL STEEL CONSTRUCTION. SUPPORT MULLIONS 8" (203) O.C.

DIMENSIONS ARE SHOWN AS INCHES (MM)

OPTIONAL ACCESSORIES :

- OBD (22 GA) STEEL OPPOSED BLADE DAMPER
- POBD (22 GA) STEEL OPPOSED BLADE DAMPER PAINTED FINISH
- 5OBD ALUMINUM OPPOSED BLADE DAMPER
- PLASTER FRAME

- 1" FILTER FRAME (NOT AVAILABLE WITH OBD)
- 2" FILTER FRAME (NOT AVAILABLE WITH OBD)